

DSH-SIZE CHART

MODELS			SIZE WIDTH x LENGTH
STEEL	STEEL/ALUM	ALUM	
DSH4848	DSH4848A	DSH4848B	4'-0" x 4'-0" [1220mm] x [1220mm]
DSH4872	DSH4872A	DSH4872B	4'-0" x 6'-0" [1220mm] x [1830mm]
DSH4890	DSH4890A	DSH4890B	4'-0" x 7'-6" [1220mm] x [2285mm]
DSH4896	DSH4896A	DSH4896B	4'-0" x 8'-0" [1220mm] x [2440mm]
DSH6060	DSH6060A	DSH6060B	5'-0" x 5'-0" [1525mm] x [1525mm]
DSH6072	DSH6072A	DSH6072B	5'-0" x 6'-0" [1525mm] x [1830mm]
DSH6084	DSH6084A	DSH6084B	5'-0" x 7'-0" [1525mm] x [2135mm]
DSH6096	DSH6096A	DSH6096B	5'-0" x 8'-0" [1525mm] x [2440mm]
DSH60120	DSH60120A	DSH60120B	5'-0" x 10'-0" [1525mm] x [3050mm]
DSH6666	DSH6666A	DSH6666B	5'-6" x 5'-6" [1675mm] x [1675mm]
DSH66144	DSH66144A	DSH66144B	5'-6" x 12'-0" [1675mm] x [3660mm]
DSH7272	DSH7272A	DSH7272B	6'-0" x 6'-0" [1830mm] x [1830mm]

DSH66144, DSH66144A & DSH-66144B HAS (4) COVERS

- ### SPECIFICATIONS
- Frame w/ capflashing (corners full welded)
DSH - 14 GAUGE PAINT BOND GALV. STEEL
DSH A - 14 GAUGE PAINT BOND GALV. STEEL
DSH B - 11 GAUGE ALUMINUM
 - Pintle hinge
 - EPDM Gasket (all around frame)
 - Cover gauge
DSH - 14 GAUGE PAINT BOND GALV. STEEL
DSH A - 11 GAUGE ALUMINUM
DSH B - 11 GAUGE ALUMINUM
 - Cover Liner
DSH - 22 GAUGE PAINT BOND GALV. STEEL
DSH A - 18 GAUGE ALUMINUM
DSH B - 18 GAUGE ALUMINUM
 - Gas springs with integral damper & hold open feature
 - 1" rigid fiberboard insulation
 - Fixed center drain
 - 165° fusible link (extra link provided)
 - Thermolatch® II positive hold/release mechanism
 - Cover restraint cable
 - 1" fiberglass cover insulation
DSH60120A - 2" Fiberglass cover insulation
DSH60120B - 2" Fiberglass cover insulation
 - Hold open pin release
 - Pull grip to open from inside 1/8" Dia. steel cable
 - Pull grip to open from outside 1/8" Dia. steel cable
 - Cover latch bracket
 - Bilclip™ flashing system

SHOP FINISH:
 STEEL: RED OXIDE PRIMER
 ALUMINUM: MILL FINISH
 HARDWARE: ZINC PLATED & CHROMATE SEALED
 (unless otherwise specified)

THIS PRODUCT MAY BE INSTALLED ON EITHER A FLAT OR SLOPING ROOF. WHEN INSTALLED ON A SLOPE, THE HINGE SIDE MUST RUN PARALLEL WITH THE SLOPE. IF SLOPE EXCEEDS 30°, ADVISE FACTORY FOR MODIFICATION.

Customer: _____

P.O. N° _____

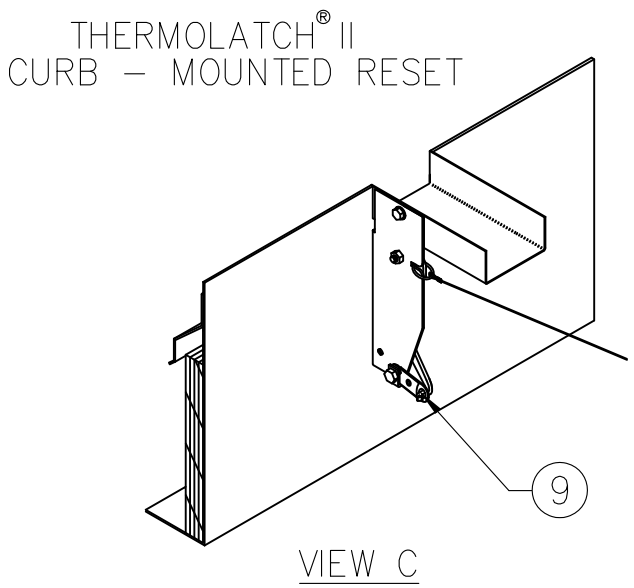
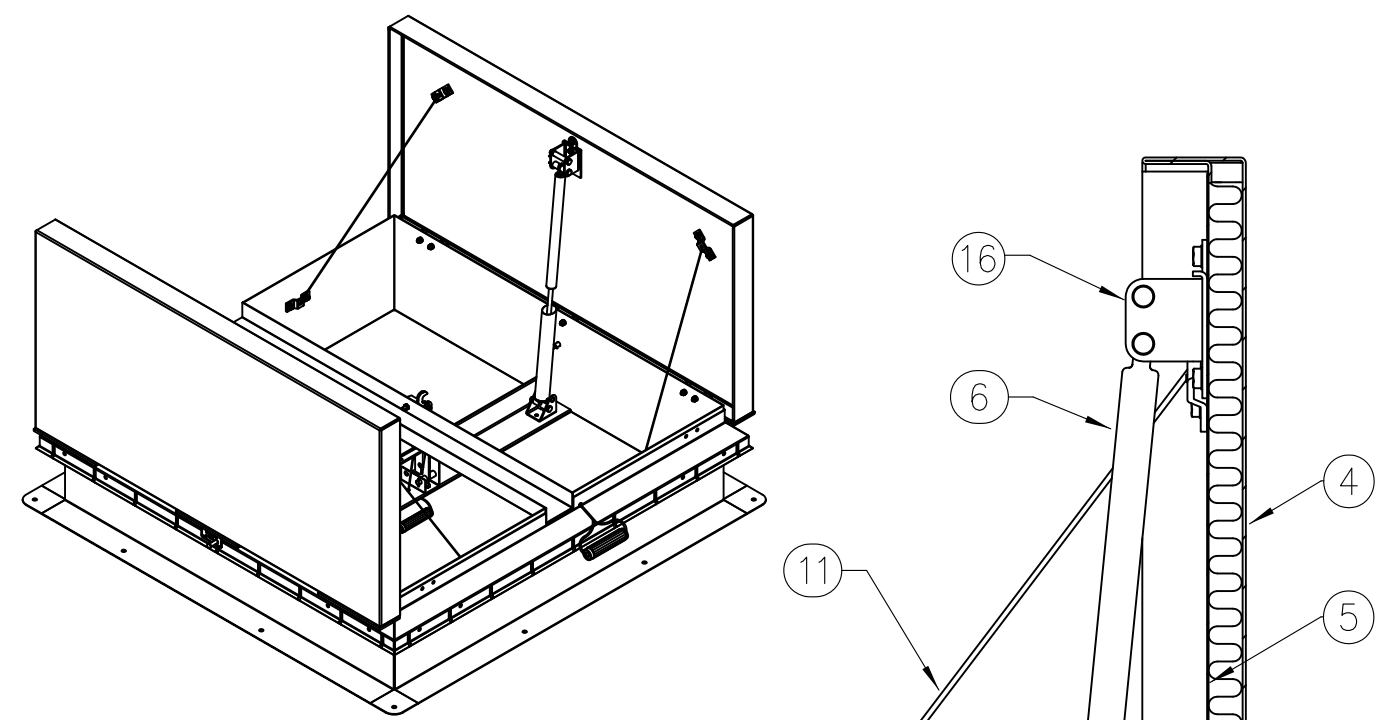
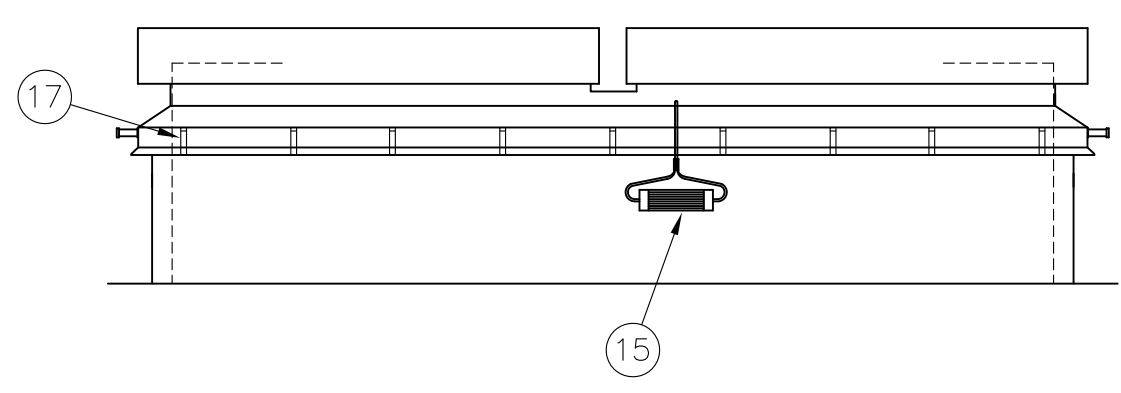
Job: _____

Sales Rep: _____

Manufacturers of Doors for Special Services
Bilco® THE BILCO COMPANY
 New Haven, Connecticut 06505

DOUBLE LEAF FIRE VENT - TYPE DSH

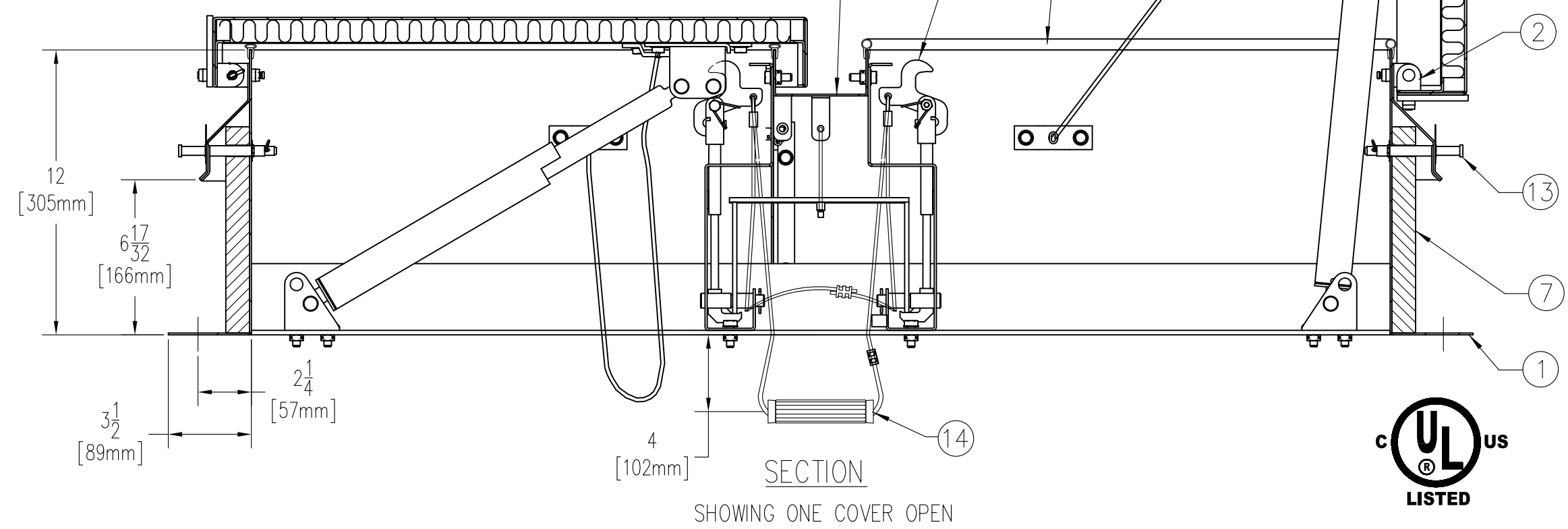
QTY	MODEL	SIZE



- THERMOLATCH MECHANISM - COVERS WILL OPERATE ONLY WHEN ACTIVATED
 A. MANUALLY
 B. BY HEAT AT 165° FUSIBLE LINK
- MANUFACTURER TO PROVIDE LABEL WITH INSTRUCTIONS TO RESET LATCH ON INTERIOR OF FRAME

NOTE

- COVERS SHALL OPEN AGAINST 10 PSF (49 kg/m²) SNOW/WIND LOAD
- VENT ASSEMBLY RATED FOR 40 PSF (195 kg/m²) LIVE LOAD
- COVERS WILL REMAIN CLOSED UNDER 90 PSF (438 kg/m²) WIND UPLIFT FORCE



THIS DRAWING IS THE PROPERTY OF THE BILCO COMPANY AND INCORPORATES INFORMATION WHICH IS PROPRIETARY. PUBLICATION AND/OR PUBLIC DISTRIBUTION IN WHOLE OR IN PART IS EXPRESSLY PROHIBITED WITHOUT THE PRIOR WRITTEN CONSENT OF THE BILCO COMPANY. THE INFORMATION CONTAINED HEREIN REMAINS THE PROPERTY OF THE BILCO COMPANY. ALL RIGHTS RESERVED.