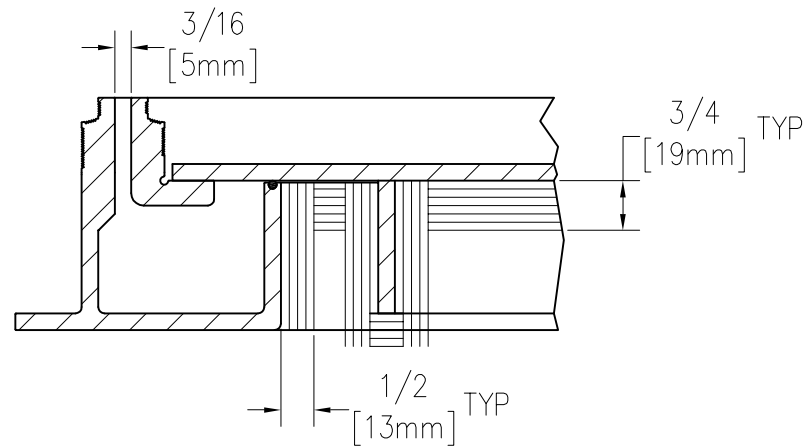


THE UNIT SHOWN ON THIS DRAWING IS NOT EQUIPPED WITH AN AUTOMATIC CLOSING SYSTEM AND MAY BE USED WHEN APPROVED BY THE AUTHORITY HAVING JURISDICTION.



TYPICAL SECTION OF ALBI CLAD 900 INTUMESCENT MASTIC FIRE PROOF COATING

1" [25mm] MAX RECESS
1/2" [13mm] MIN CONCRETE
IN PAN REQUIRED FOR
FIRE RATING (BY OTHERS)

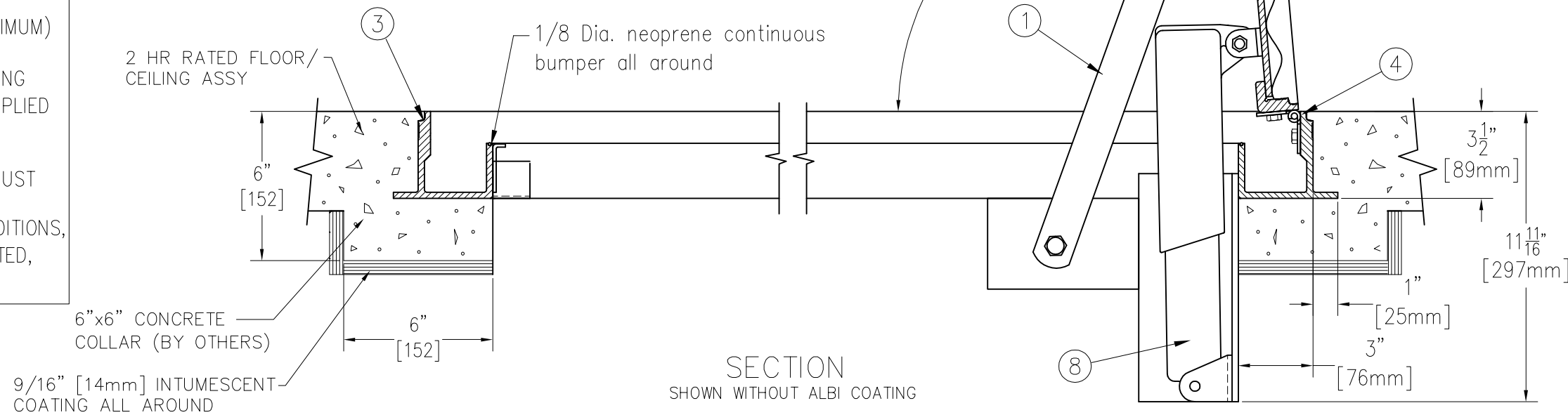
Frame areas that come in contact with concrete shall be coated with bituminous paint

NOTES:
TYPE FR DOORS ARE DESIGNED WITH A 1" [25mm] PAN COVER TO ACCEPT A VARIETY OF FLOORING MATERIALS. SIZES ARE LIMITED & DEPENDENT UPON WEIGHT OF FILL MATERIAL, CONSULT FACTORY

FRAME MUST BE EMBEDDED IN A 6" X 6" (MINIMUM) CONCRETE COLLAR ALL AROUND TO RETAIN 2 HR U.L. LISTING. 9/16" INTUMESCENT COATING ALL AROUND TYPICAL (SUPPLIED BY BILCO) APPLIED BY OTHERS IN THE FIELD. SEE SECTION.

FOR DRY INTERIOR INSTALLATION ONLY. UNIT MUST BE PROTECTED FROM MOISTURE PRIOR TO INSTALLATION. IF EXPOSURE TO EXTERIOR CONDITIONS, MOISTURE AND/OR HIGH HUMIDITY IS ANTICIPATED, CONSULT FACTORY

THIS DRAWING IS THE PROPERTY OF THE BILCO COMPANY AND INCORPORATES INFORMATION WHICH IS PROPRIETARY. PUBLICATION AND/OR PUBLIC DISTRIBUTION IN WHOLE OR IN PART IS EXPRESSLY PROHIBITED WITHOUT THE PRIOR WRITTEN CONSENT OF THE BILCO COMPANY. THE INFORMATION CONTAINED HEREIN REMAINS THE PROPERTY OF THE BILCO COMPANY. ALL RIGHTS RESERVED.



SPECIFICATIONS

1. Bilco automatic hold open arm w/ red vinyl grip
2. 1/4 Aluminum plate cover (cover reinf. for 150 lbs per sq. foot live load)
3. Bilco 1/4" aluminum channel with extruded 1" anchor flange
4. Stainless steel 3" piano hinge
5. Terrazzo reinf. wire mesh (2"x1"x.063 Galv.)
6. Slam lock with cable and pull handle
7. Removable square key wrench
8. Lifting mechanism with reinforced composite tubes and electrocoated compression springs
9. Removable cover plug
10. Guide arm (if req'd)

SHOP FINISH:
ALUMINUM: MILL FINISH
HARDWARE: ZINC PLATED & CHROMATE SEALED
(unless otherwise specified)

REINFORCED FOR 150 Lbs. PER Sq. Ft.
(732 kg. PER Sq. METER) LIVE LOAD

INSTALLER NOTES:

- A. Use caution. Cover is spring loaded. Do not remove safety shipping bolt until unit is to be installed and in normal horizontal operating position.
- B. Before anchoring in place open and close door. Check to see that the door in the closed position rests on the frame all around. If not, shim under the frame at the proper corner.
- C. See installation procedure shipped with door.

Customer:

P.O. N°

Job:

Sales Rep.:

Manufacturers of Doors for Special Services
Bilco® THE BILCO COMPANY
New Haven, Connecticut 06505

**SINGLE LEAF ACCESS DOOR
TYPE FRLC - FIRE RATED**

QTY	TYPE	SIZE	
		WIDTH	LENGTH
<input type="checkbox"/>	FR-2LC	2'-6" [762mm]	2'-6" [762mm]
<input type="checkbox"/>	FR-3LC	3'-0" [914mm]	2'-6" [762mm]
<input type="checkbox"/>	FR-4LC	3'-0" [914mm]	3'-0" [914mm]
<input type="checkbox"/>	FR-5LC	3'-6" [1065mm]	3'-6" [1065mm]
<input type="checkbox"/>	FR-6LC	2'-6" [762mm]	4'-0" [1219mm]