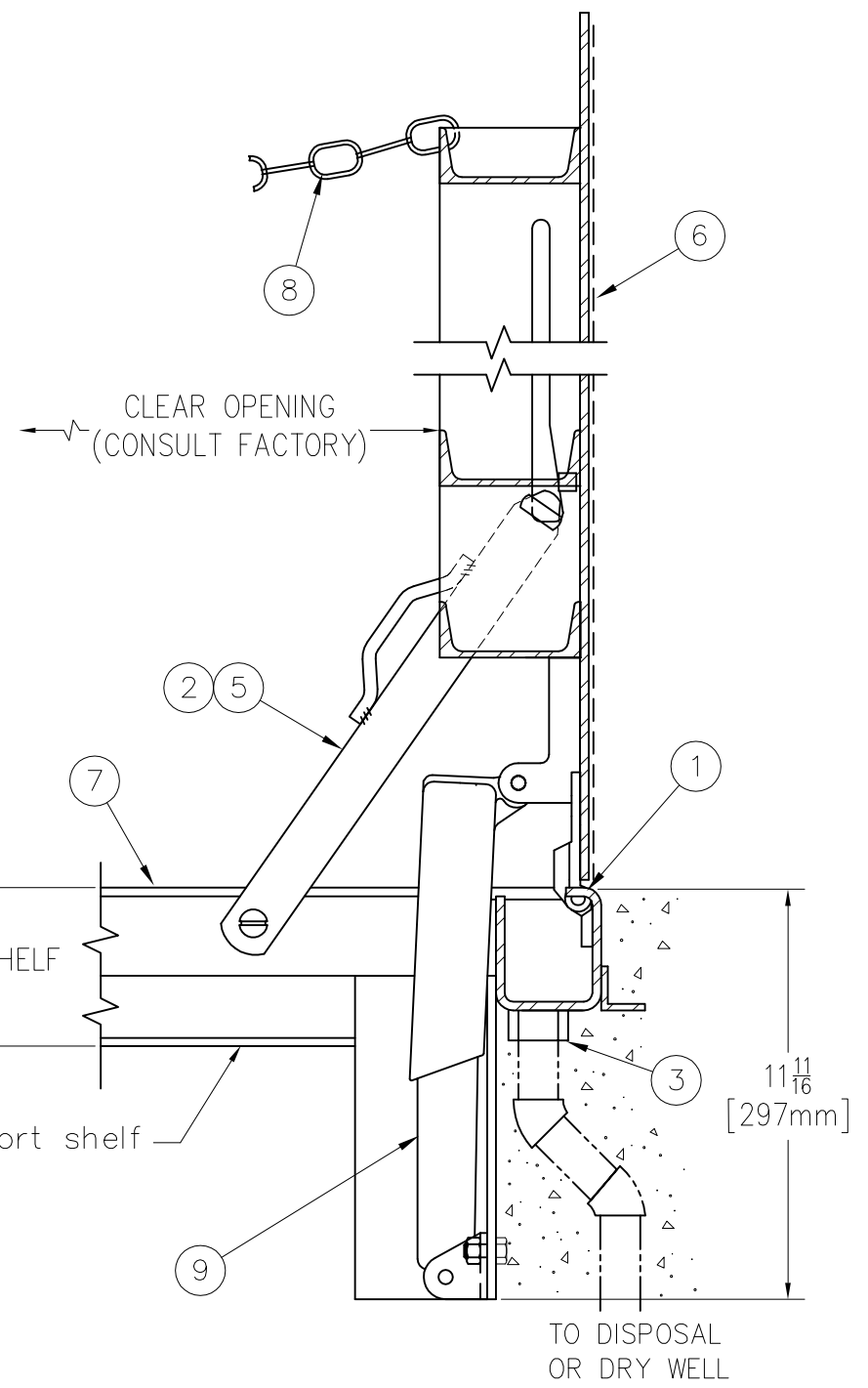
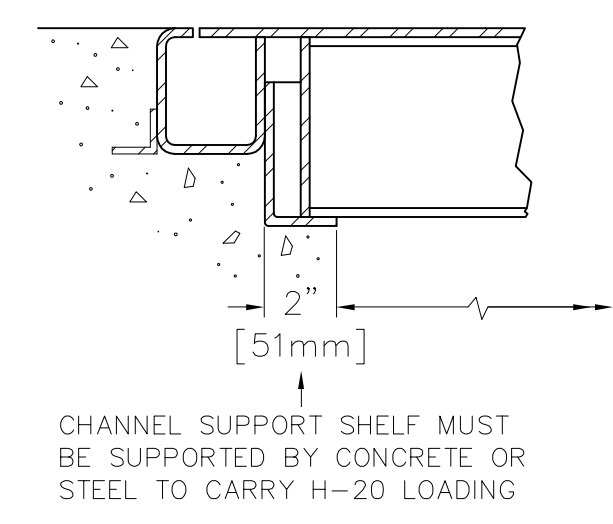


NOTE:
DESIGNED TO WITHSTAND H-20 WHEEL LOADINGS SUITABLE FOR USE IN OFF-STREET LOCATIONS WHERE NOT SUBJECTED TO HIGH DENSITY TRAFFIC



- SPECIFICATIONS**
1. Bilco heavy duty forged brass hinges with stainless steel pins
 2. Guide arm (if req'd)
 3. 1-1/2" drain coupling
 4. Standard slam lock
 5. Bilco automatic hold open arm w/ red vinyl grip
 6. 1/4" steel diamond pattern plate cover
 7. Bilco 1/4" steel channel frame with welded 1 1/4" x 1 1/4" anchor flange
 8. Heavy duty check chain
 9. Lifting mechanism with reinforced composite tubes and electrocoated compression springs
- SHOP FINISH:
STEEL: RED OXIDE PRIMER
HARDWARE: ZINC PLATED & CHROMATE SEALED (unless otherwise specified)

- REINFORCED FOR H20 LOADING
- INSTALLER NOTES:**
- A. Use caution. Cover is spring loaded. Do not remove safety shipping bolt until unit is to be installed and in normal horizontal operating position.
 - B. Be sure unit is set on slight pitch toward drain corner.
 - C. Before anchoring in place open and close door. Check to see that the door in the closed position rests on the frame all around. If not, shim under the frame at the proper corner.
 - D. Do not reduce 1 1/2" drain pipe to dry well or disposal system.

Customer: _____

P.O. N° _____

Job: _____

Sales Rep: _____

Manufacturers of Doors for Special Services
Bilco® THE BILCO COMPANY
New Haven, Connecticut 06505

**DOUBLE LEAF ACCESS DOOR
TYPE JD-H20 - EXTERIOR**

QTY	TYPE	SIZE		SHELF DEPTH
		WIDTH	LENGTH	
□	JD-1H20	4'-0"	2'-6"	4 1/2"
		[1220mm]	x [762mm]	[114mm]
□	JD-2H20	4'-0"	4'-0"	5 1/2"
		[1220mm]	x [1220mm]	[140mm]
□	JD-3H20	4'-0"	6'-0"	7 1/2"
		[1220mm]	x [1830mm]	[191mm]
□	JD-4H20	5'-0"	5'-0"	6 1/2"
		[1525mm]	x [1525mm]	[165mm]

THIS DRAWING IS THE PROPERTY OF THE BILCO COMPANY AND INCORPORATES INFORMATION WHICH IS PROPRIETARY. PUBLICATION AND/OR PUBLIC DISTRIBUTION IN WHOLE OR IN PART IS EXPRESSLY PROHIBITED WITHOUT THE PRIOR WRITTEN CONSENT OF THE BILCO COMPANY. THE INFORMATION CONTAINED HEREIN REMAINS THE PROPERTY OF THE BILCO COMPANY. ALL RIGHTS RESERVED.