

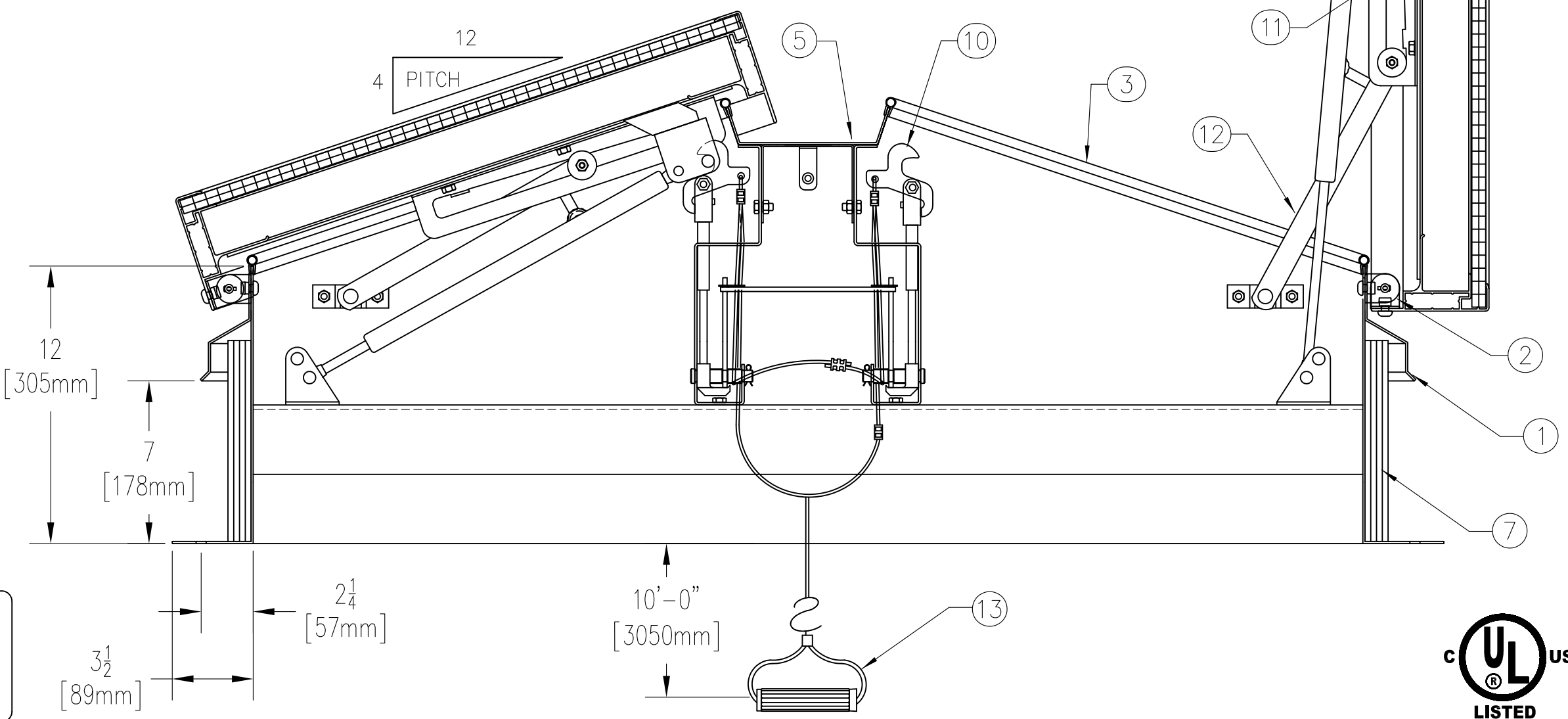
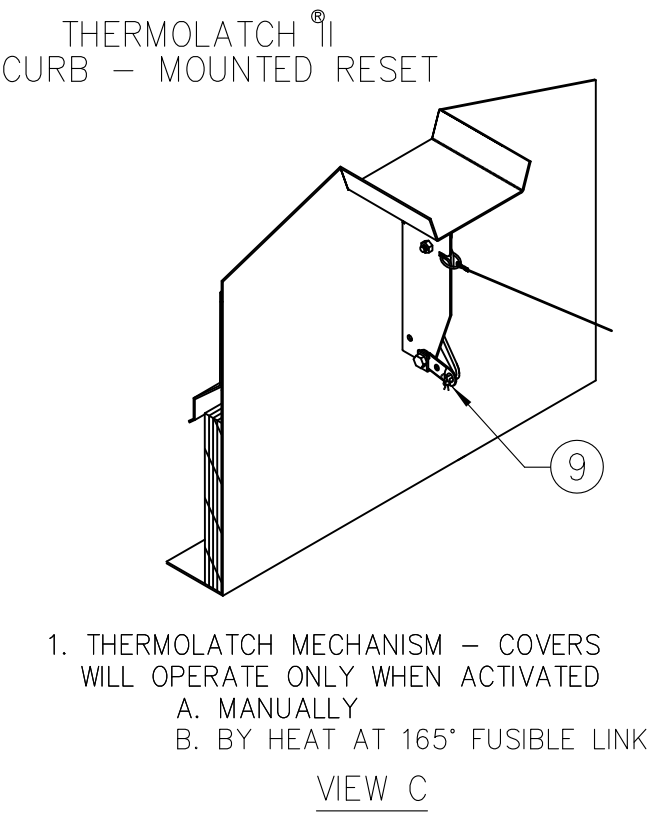
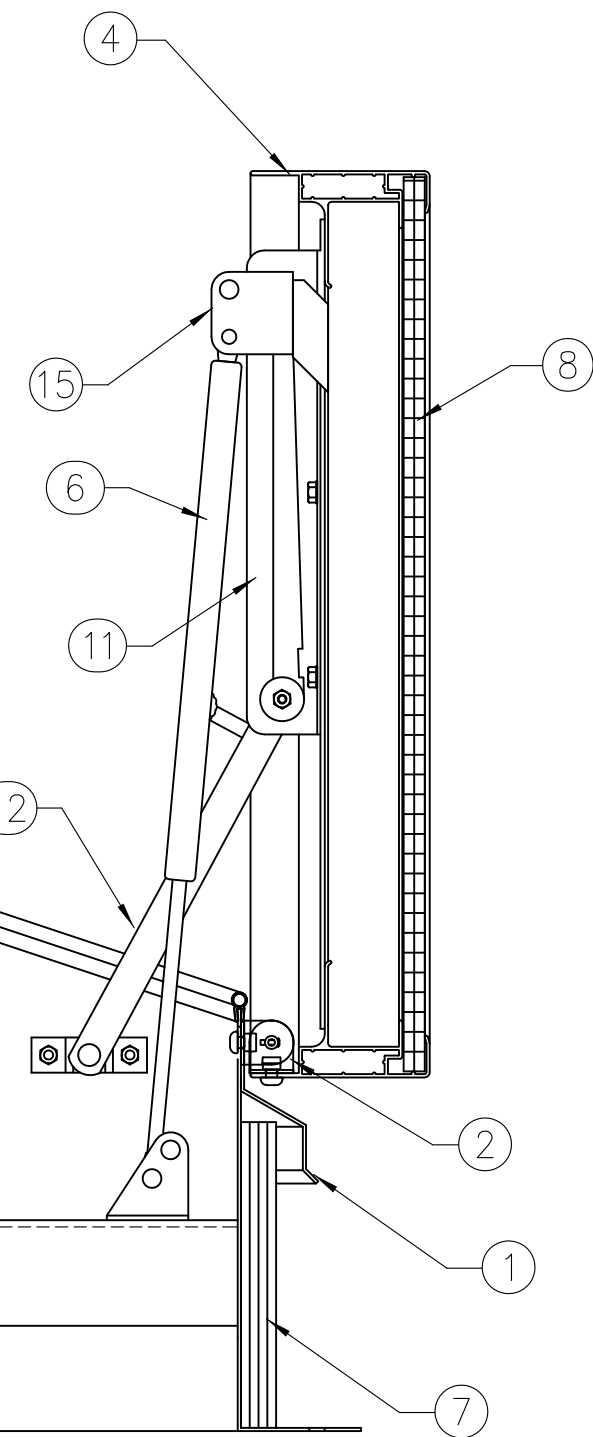
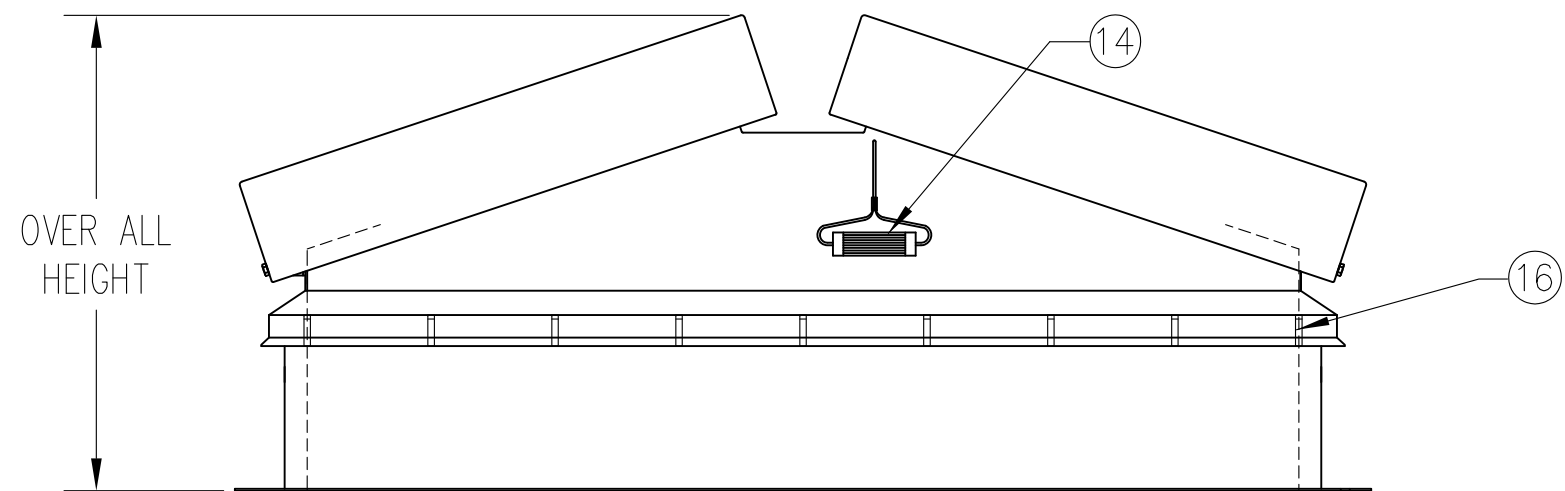
NOTE
 1. COVERS SHALL OPEN AGAINST
 10 PSF (49 kg/m²) SNOW/WIND LOAD
 2. VENT ASSEMBLY RATED FOR
 40 PSF (195 kg/m²) LIVE LOAD
 3. COVERS WILL REMAIN CLOSED UNDER
 90 PSF (438 kg/m²) WIND UPLIFT FORCE

SPECIFICATIONS

1. Frame w/ capflashing (corners full welded)
LV B – 11 GAUGE ALUMINUM
2. Pintle hinge
3. Gasket (all around frame)
4. Extruded aluminum cover frame
5. Fixed center drain
6. Gas springs with integral damper
7. 1" rigid fiberboard insulation
8. Translucent structured polycarbonate glazing
9. 165° fusible link (extra link provided)
10. Thermolatch®II positive hold/release mechanism
11. Arm guide bracket
12. Hold open arm with nylon roller and red vinyl grip
13. Pull grip to open from inside 1/8" Dia. steel cable
14. Pull grip to open from outside 1/8" Dia. steel cable
15. Cover latch bracket
16. Bilclip™ flashing system
17. Guide arm

SHOP FINISH:
 ALUMINUM: MILL FINISH
 HARDWARE: ZINC PLATED & CHROMATE SEALED
 (unless otherwise specified)

THIS PRODUCT MAY BE INSTALLED ON EITHER A FLAT OR SLOPING ROOF. WHEN INSTALLED ON A SLOPE, THE HINGE SIDE MUST RUN PARALLEL WITH THE SLOPE. IF SLOPE EXCEEDS 30°, ADVISE FACTORY FOR MODIFICATION.



THIS DRAWING IS THE PROPERTY OF THE BILCO COMPANY AND INCORPORATES INFORMATION WHICH IS PROPRIETARY. PUBLICATION AND/OR PUBLIC DISTRIBUTION IN WHOLE OR IN PART IS EXPRESSLY PROHIBITED WITHOUT THE PRIOR WRITTEN CONSENT OF THE BILCO COMPANY. THE INFORMATION CONTAINED HEREIN REMAINS THE PROPERTY OF THE BILCO COMPANY. ALL RIGHTS RESERVED.



Customer:

P.O. N°

Job:

Sales Rep:

Manufacturers of Doors for Special Services
Bilco® THE BILCO COMPANY
 New Haven, Connecticut 06505

**DOUBLE LEAF FIRE VENT
 TYPE LV**

QTY	TYPE	SIZE		OVER ALL HEIGHT
		WIDTH	LENGTH	
□	LV4848B	4'-0" x 4'-0" [1220mm] x [1220mm]	23" [585mm]	
□	LV4896B	4'-0" x 8'-0" [1220mm] x [2440mm]	23" [585mm]	
□	LV6096B	5'-0" x 8'-0" [1525mm] x [2440mm]	25" [635mm]	