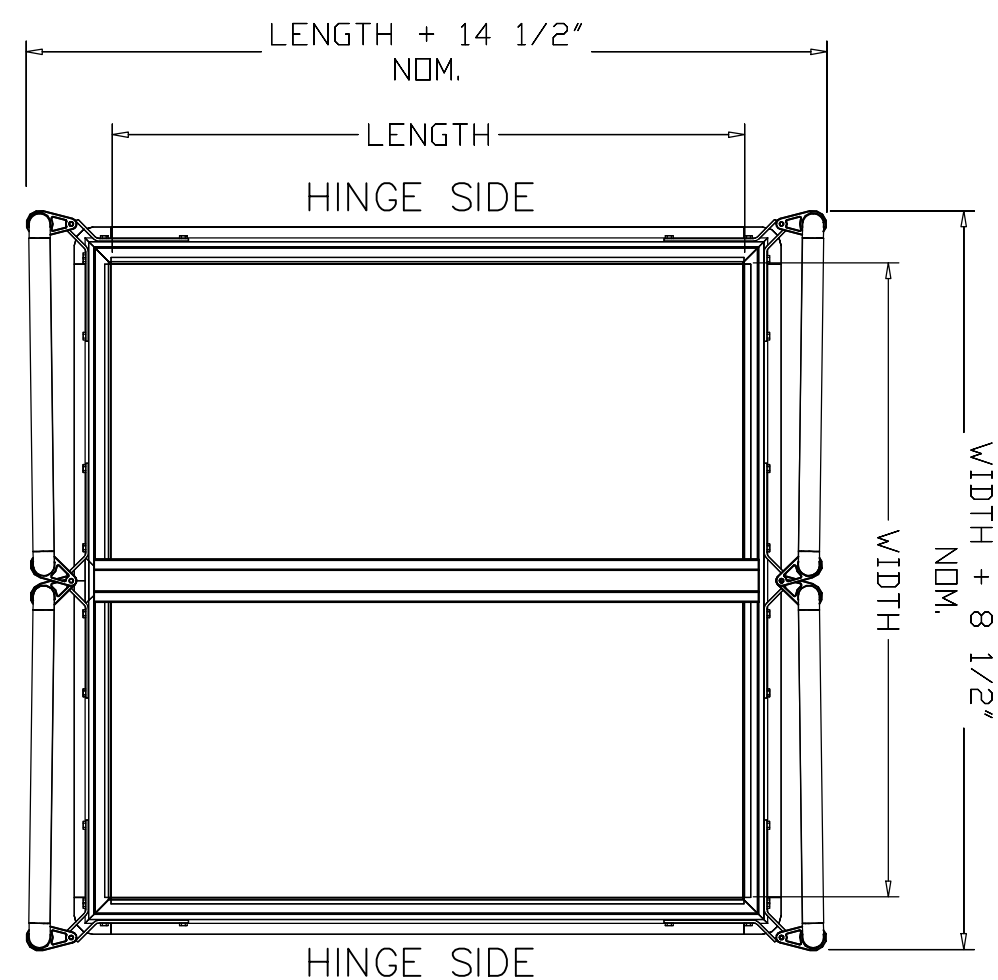
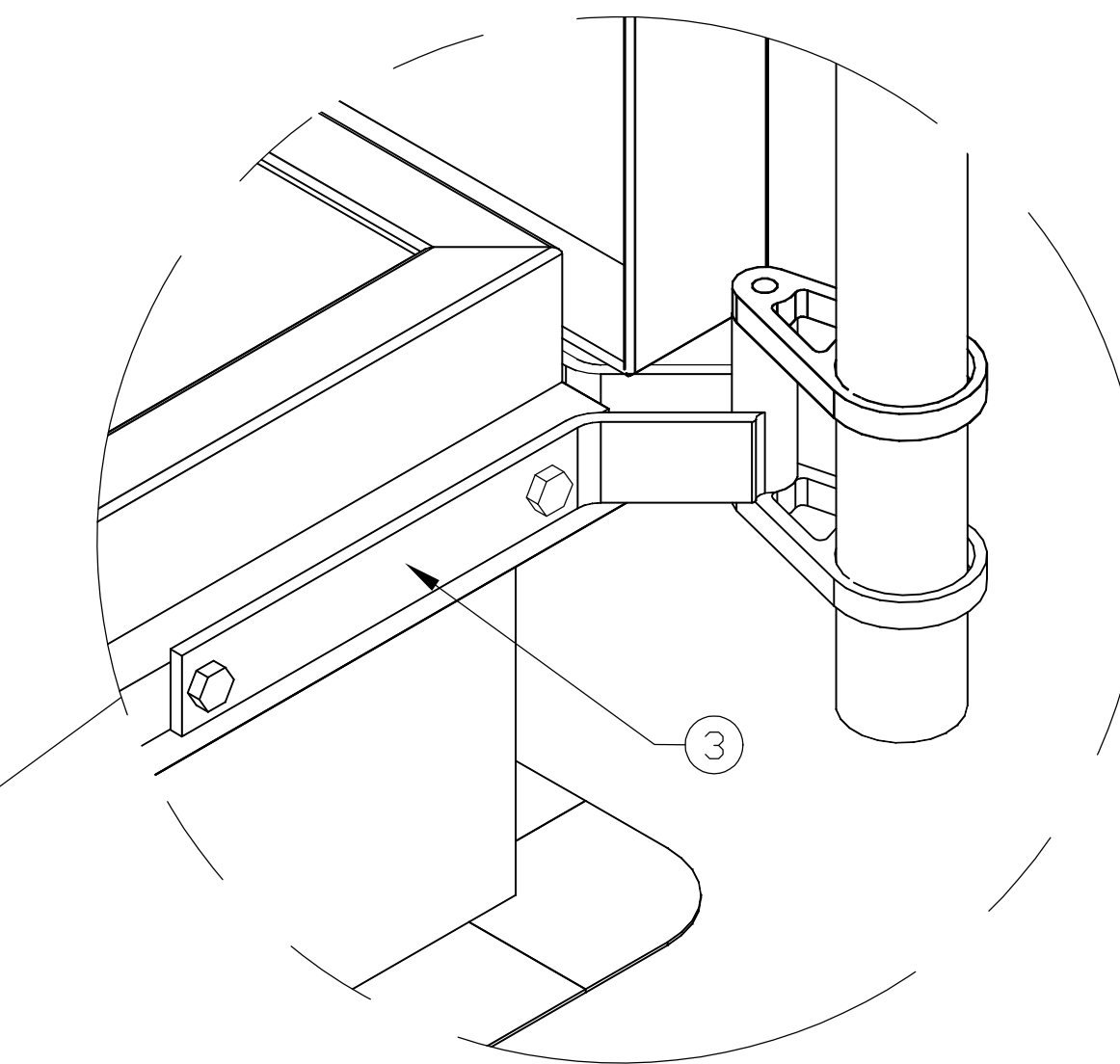
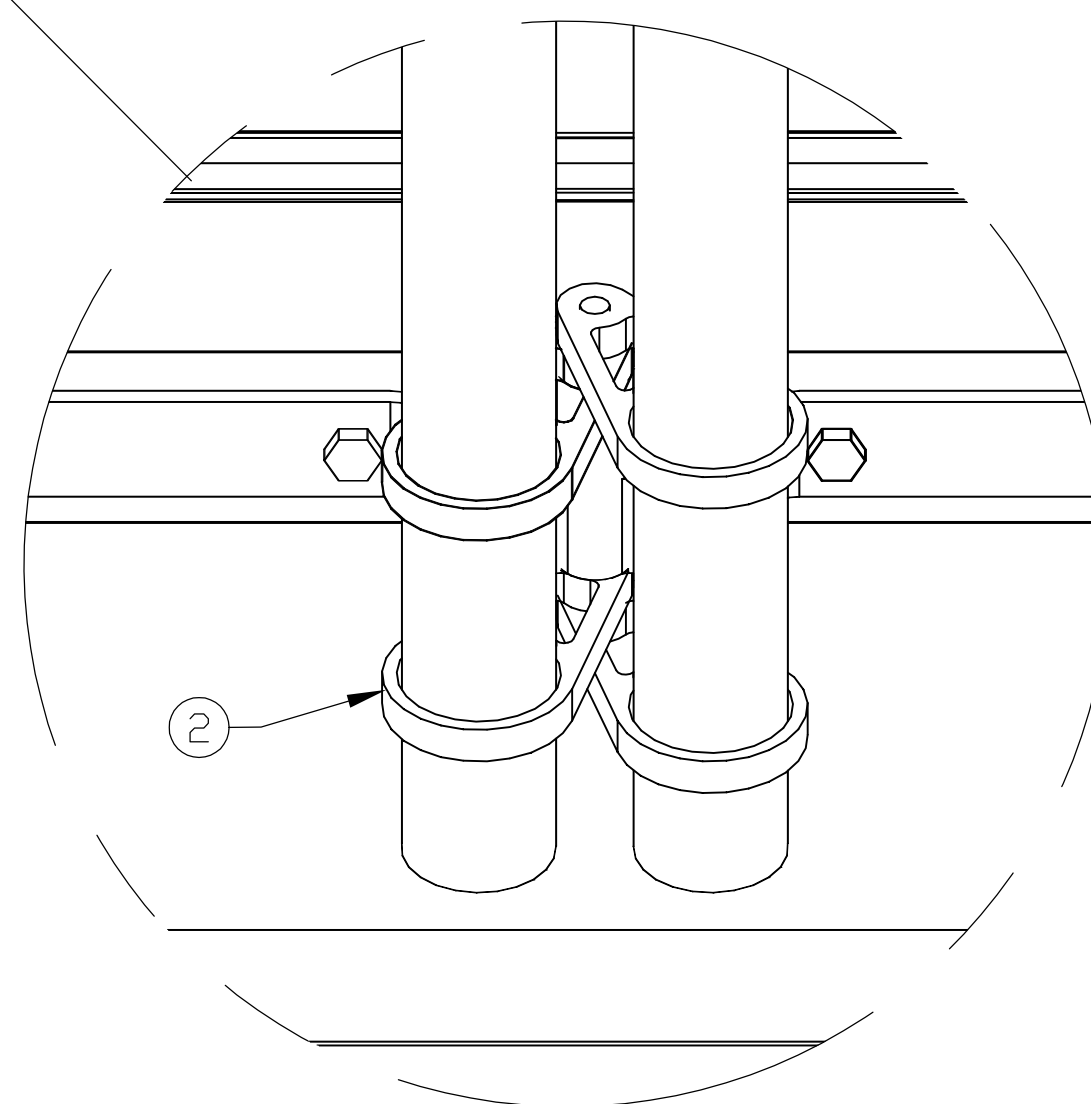


ISOMETRIC VIEW

SEE NOTE 1



PLAN VIEW  
SHOWN WITHOUT COVERS



SPECIFICATIONS

1. Fiberglass reinforced polymer (FRP), yellow, uv resistant & fire retardant (Ø1.91)
2. Aluminum post supports
3. Steel corner brackets (hot dip galvanized)

NOTES:

1. TOP OF RAIL TO BE SET 42" ABOVE THE ROOF SURFACE OR DECK
2. NO GATES AVAILABLE ON SMOKE VENTS
3. ALL FASTENERS STAINLESS STEEL
4. ALL PARTS AND FASTENERS ARE INCLUDED IN PACKAGE. CAPFLASHING MUST BE STRUCTURALLY SOUND TO SUPPORT ASSEMBLY.
5. NUMBER OF PANELS VARIES WITH SIZE, CONSULT FACTORY.

*Customer:*

*P.O. N°*

*Job:*

*Contractor:*

*Architect:*

*Engineer:*

*Sales Rep:*

Manufacturers of Doors for Special Services  
**Bilco**® THE BILCO COMPANY  
 New Haven, Connecticut 06505

**BIL-GUARD®**  
**HATCH RAIL SYSTEM**

QTY	TYPE	SIZES	
		W	L
<input type="text"/>	RL	___	x ___
<b>DOUBLE LEAF SMOKE VENT</b>			

THIS DRAWING IS THE PROPERTY OF THE BILCO COMPANY AND INCORPORATES INFORMATION WHICH IS PROPRIETARY. PUBLICATION AND/OR PUBLIC DISTRIBUTION IN WHOLE OR IN PART IS EXPRESSLY PROHIBITED WITHOUT THE PRIOR WRITTEN CONSENT OF THE BILCO COMPANY. THE INFORMATION CONTAINED HEREIN REMAINS THE PROPERTY OF THE BILCO COMPANY. ALL RIGHTS RESERVED.