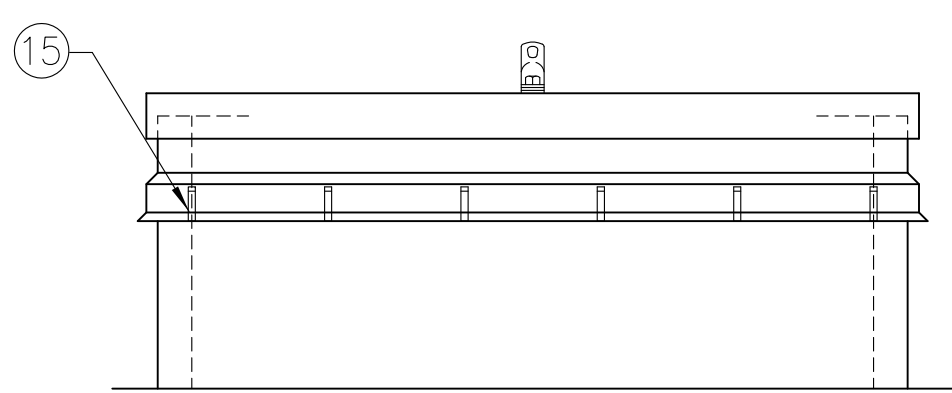


ANCHOR HOLE LAYOUT

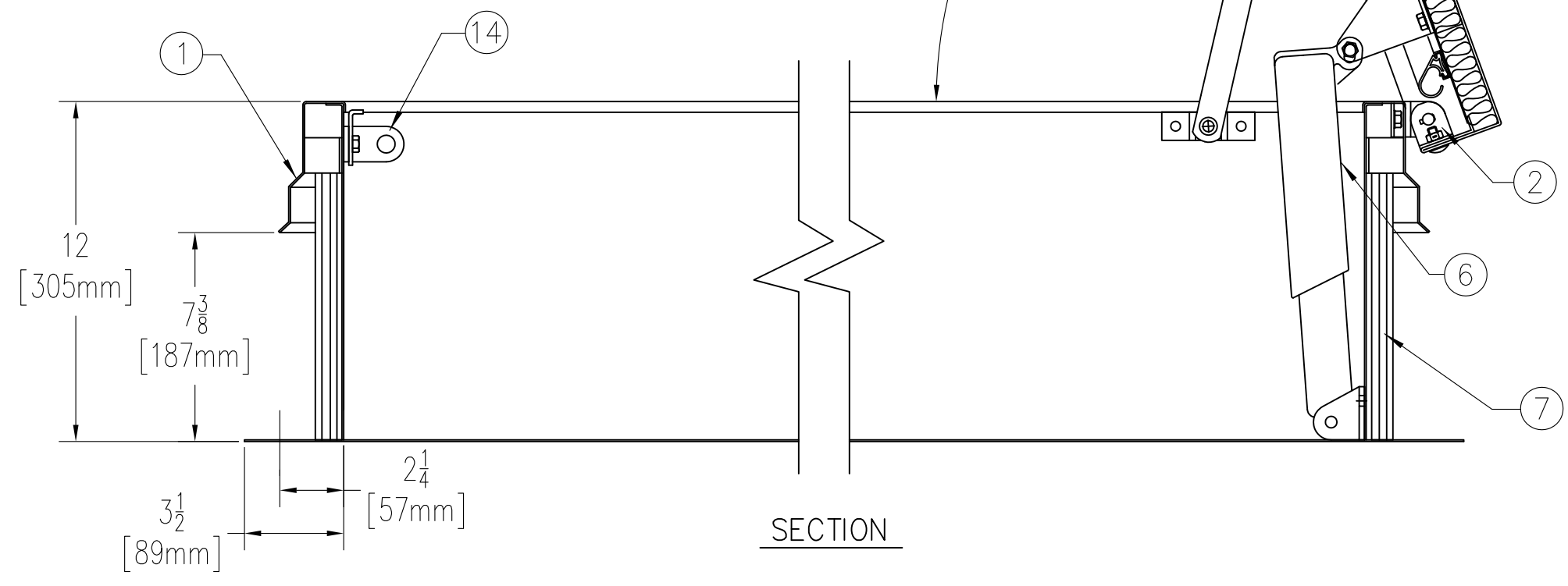


MIAMI-DADE COUNTY PRODUCT CONTROL APPROVED
 N.O.A. #10-0113.01 EXPIRES 12/02/14
 FILE CLASSIFICATION: HIGH VELOCITY HURRICANE ZONE
 IMPACT RATE: LARGE AND SMALL MISSILE IMPACT

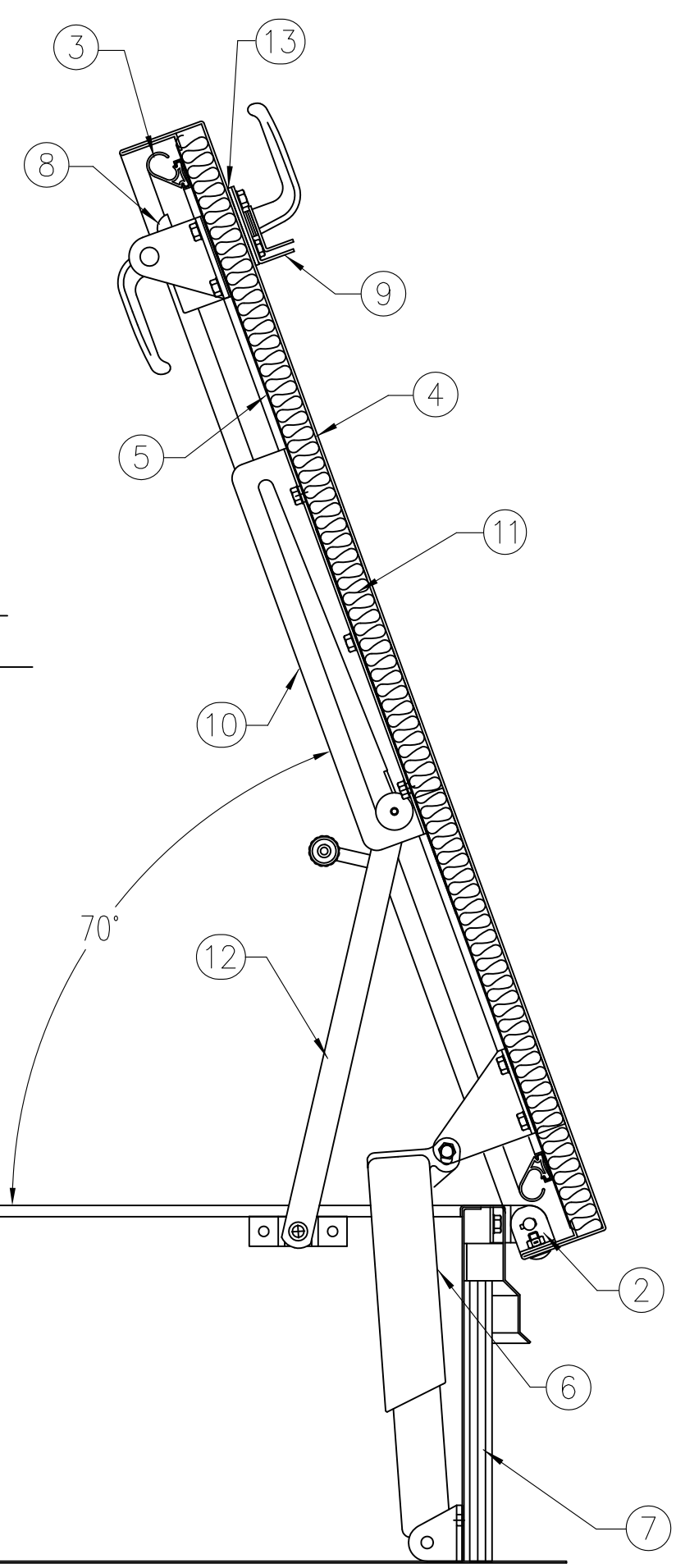
TYPE: S-20 AND S-50 ONLY



THIS DRAWING IS THE PROPERTY OF THE BILCO COMPANY AND INCORPORATES INFORMATION WHICH IS PROPRIETARY. PUBLICATION AND/OR PUBLIC DISTRIBUTION IN WHOLE OR IN PART IS EXPRESSLY PROHIBITED WITHOUT THE PRIOR WRITTEN CONSENT OF THE BILCO COMPANY. THE INFORMATION CONTAINED HEREIN REMAINS THE PROPERTY OF THE BILCO COMPANY. ALL RIGHTS RESERVED.



SECTION



- SPECIFICATIONS**
- Frame w/ capflashing (corners full welded)
 - S-20 - 14 GAUGE P.B. GALV. STEEL
 - S-40 - 14 GAUGE P.B. GALV. STEEL
 - S-50 - 11 GAUGE ALUMINUM
 - S-90 - 14 GAUGE TYPE 304 STAINLESS STEEL
 - Pintle hinge
 - Gasket (all around cover)
 - Cover gauge
 - S-20 - 14 GAUGE P.B. GALV. STEEL
 - S-40 - 11 GAUGE ALUMINUM
 - S-50 - 11 GAUGE ALUMINUM
 - S-90 - 14 GAUGE TYPE 304 STAINLESS STEEL
 - Cover Liner
 - S-20 - 22 GAUGE P.B. GALV. STEEL
 - S-40 - 18 GAUGE ALUMINUM
 - S-50 - 18 GAUGE ALUMINUM
 - S-90 - 22 GAUGE TYPE 304 STAINLESS STEEL
 - Lifting mechanism with reinforced composite tubes and electrocoated compression springs
 - 1" rigid fiberboard insulation
 - Slam latch
 - Inside and outside handles w/padlock hasps
 - Arm guide bracket
 - 1" thick fiberglass cover insulation
 - Hold open arm with nylon roller and red vinyl grip
 - Neoprene gasket
 - Lock strike & padlock hasp
 - Bilclip™ flashing system
- SHOP FINISH:
 STEEL: RED OXIDE PRIMER
 ALUMINUM: MILL FINISH
 HARDWARE: ZINC PLATED & CHROMATE SEALED (unless otherwise specified)
 STAINLESS STEEL: SANDBLAST FINISH TYPE 316 S/S HARDWARE

THIS PRODUCT MAY BE INSTALLED ON EITHER A FLAT OR SLOPING ROOF. WHEN INSTALLED ON A SLOPE, THE HINGE SIDE MUST RUN PARALLEL WITH THE SLOPE. IF SLOPE EXCEEDS 30°, ADVISE FACTORY FOR MODIFICATION.

Customer: _____

P.O. N° _____

Job: _____

Sales Rep: _____

Manufacturers of Doors for Special Services
Bilco® THE BILCO COMPANY
 New Haven, Connecticut 06505

SINGLE LEAF ROOF SCUTTLE			
TYPE S SIZE 3'-0" x 2'-6"			
		WIDTH x LENGTH	
QTY	TYPE	METAL	
<input type="checkbox"/>	S-20	STEEL COVER/STEEL FRAME	
<input type="checkbox"/>	S-40	ALUM. COVER/STEEL FRAME	
<input type="checkbox"/>	S-50	ALUM. COVER/ALUM. FRAME	
<input type="checkbox"/>	S-90	STLS STL COVER/STLS STL FRAME	