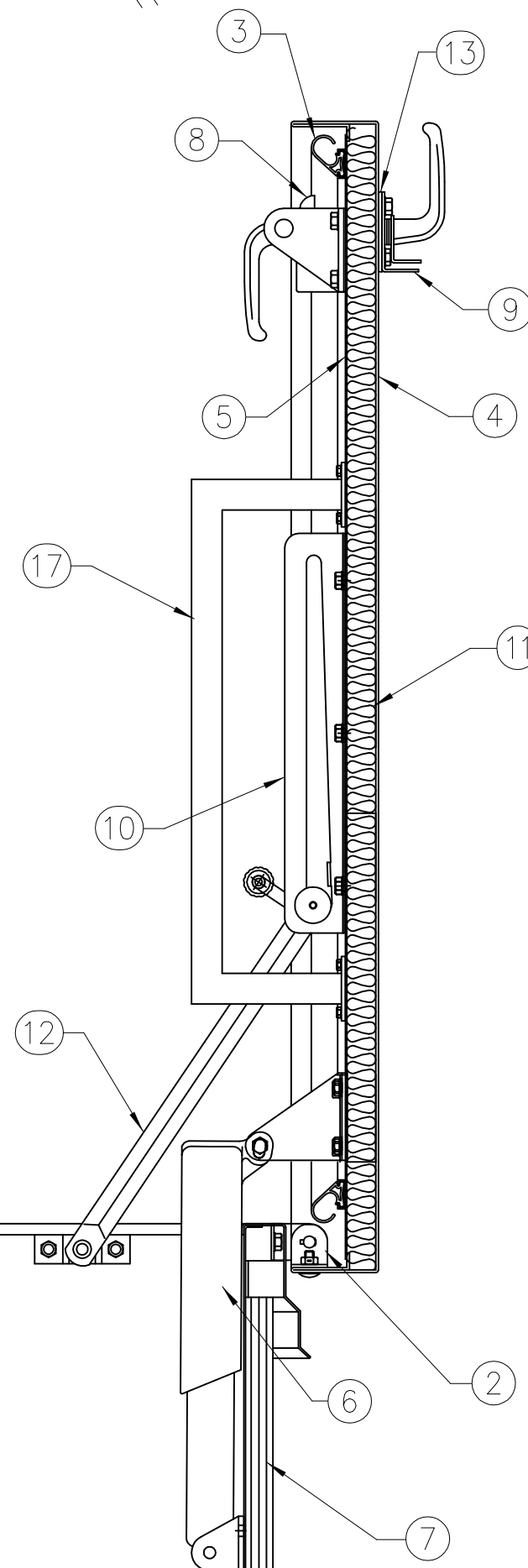


LAPEYER STAIR  
BY OTHERS



**SPECIFICATIONS**

1. Frame w/ capflashing (corners full welded)  
 SS-20 - 14 GAUGE P.B. GALV. STEEL  
 SS-40 - 14 GAUGE P.B. GALV. STEEL  
 SS-50 - 11 GAUGE ALUMINUM
2. Pintle hinge
3. Gasket (all around cover)
4. Cover gauge  
 SS-20 - 14 GAUGE P.B. GALV. STEEL  
 SS-40 - 11 GAUGE ALUMINUM  
 SS-50 - 11 GAUGE ALUMINUM
5. Cover Liner  
 SS-20 - 22 GAUGE P.B. GALV. STEEL  
 SS-40 - 18 GAUGE ALUMINUM  
 SS-50 - 18 GAUGE ALUMINUM
6. Lifting mechanism with reinforced composite tubes and electrocoated compression springs
7. 1" rigid fiberboard insulation
8. Slam latch
9. Inside and outside handles w/padlock hasps
10. Arm guide bracket
11. 1" thick fiberglass cover insulation
12. Hold open arm with nylon roller and red vinyl grip
13. Neoprene gasket
14. Lock strike & padlock hasp
15. Bilclip™ flashing system
16. Guide arm
17. Handrail (1 1/4" sch 40 pipe, same material as cover)

SHOP FINISH:

- STEEL: RED OXIDE PRIMER
- ALUMINUM: MILL FINISH
- HARDWARE: ZINC PLATED & CHROMATE SEALED  
(unless otherwise specified)

THIS PRODUCT MAY BE INSTALLED ON EITHER A FLAT OR SLOPING ROOF. WHEN INSTALLED ON A SLOPE, THE HINGE SIDE MUST RUN PARALLEL WITH THE SLOPE. IF SLOPE EXCEEDS 30°, ADVISE FACTORY FOR MODIFICATION.

Customer:

P.O. N°

Job:

Sales Rep:

Manufacturers of Doors for Special Services  
**Bilco**® THE BILCO COMPANY  
 New Haven, Connecticut 06505

**SINGLE LEAF ROOF SCUTTLE  
 MODIFIED FOR 56° LAPEYRE STAIR  
 TYPE SS SIZE 2'-6" x 5'-10"**

QTY	TYPE	METAL
<input type="checkbox"/>	SS-20	STEEL COVER/STEEL FRAME
<input type="checkbox"/>	SS-40	ALUM. COVER/STEEL FRAME
<input type="checkbox"/>	SS-50	ALUM. COVER/ALUM. FRAME

THIS DRAWING IS THE PROPERTY OF THE BILCO COMPANY AND INCORPORATES INFORMATION WHICH IS PROPRIETARY. PUBLICATION AND/OR PUBLIC DISTRIBUTION IN WHOLE OR IN PART IS EXPRESSLY PROHIBITED WITHOUT THE PRIOR WRITTEN CONSENT OF THE BILCO COMPANY. THE INFORMATION CONTAINED HEREIN REMAINS THE PROPERTY OF THE BILCO COMPANY. ALL RIGHTS RESERVED.