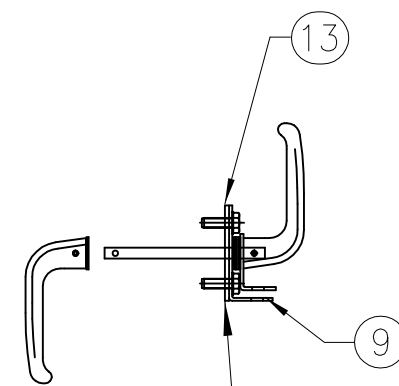
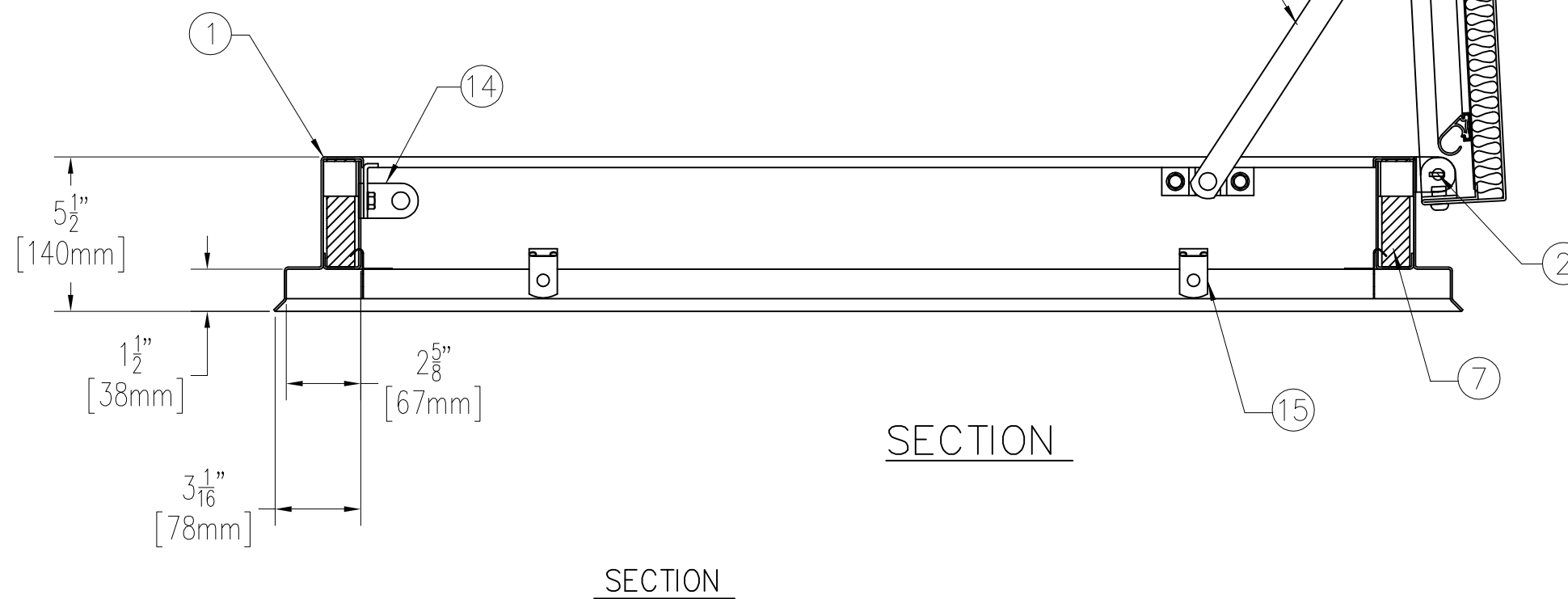
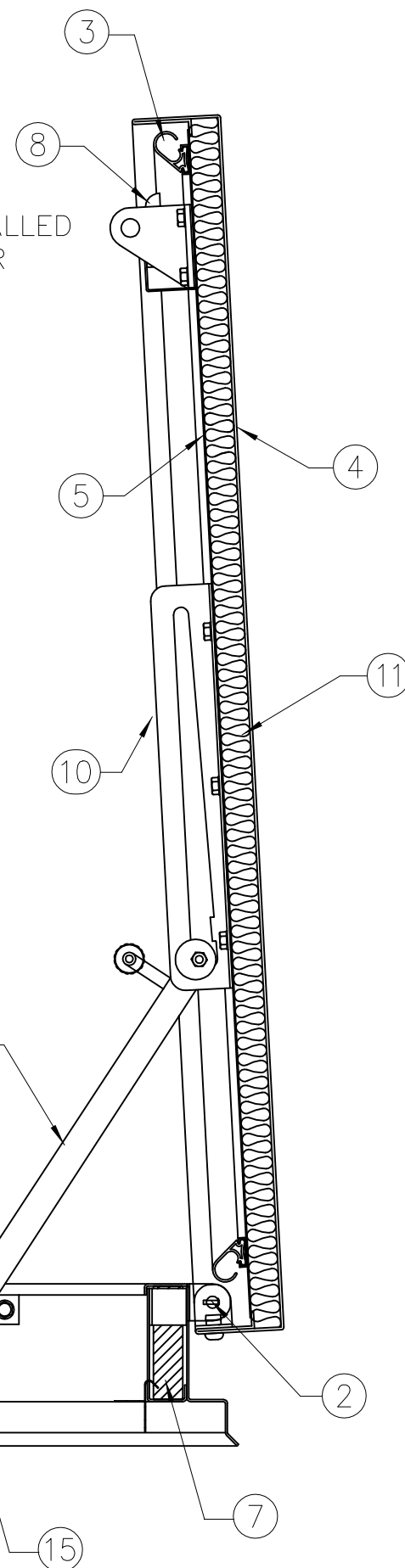


QUANTITY OF SPRINGS AND HINGES VARIES WITH SIZE



HANDLES TO BE INSTALLED ON SITE BY CUSTOMER



**SPECIFICATIONS**

1. Frame w/ flashing (corners full welded)
  - 20VM - 14 GAUGE P.B. GALV. STEEL
  - 50VM - 11 GAUGE ALUMINUM
2. Pintle hinge
3. Gasket (all around cover)
4. Cover gauge
  - 20VM - 14 GAUGE P.B. GALV. STEEL
  - 50VM - 11 GAUGE ALUMINUM
5. Cover Liner
  - 20VM - 22 GAUGE P.B. GALV. STEEL
  - 50VM - 18 GAUGE ALUMINUM
6. Lifting mechanism with reinforced composite tubes and electrocoated compression springs
7. 1" rigid fiberglass insulation
8. Slam latch
9. Inside and outside handles w/padlock hasps
10. Arm guide bracket
11. 1" thick fiberglass cover insulation
12. Hold open arm with nylon roller and red vinyl grip
13. Neoprene gasket
14. Lock strike & padlock hasp
15. Anchor tabs (qty & location varies w/ size)
16. Guide arm (if req'd)

SHOP FINISH:

STEEL: RED OXIDE PRIMER

ALUMINUM: MILL FINISH

HARDWARE: ZINC PLATED & CHROMATE SEALED

(unless otherwise specified)

THIS PRODUCT MAY BE INSTALLED ON EITHER A FLAT OR SLOPING ROOF. WHEN INSTALLED ON A SLOPE, THE HINGE SIDE MUST RUN PARALLEL WITH THE SLOPE. IF SLOPE EXCEEDS 30°, ADVISE FACTORY FOR MODIFICATION.

Customer:

P.O. N°

Job:

Sales Rep:

Manufacturers of Doors for Special Services  
**Bilco**® THE BILCO COMPANY  
 New Haven, Connecticut 06505

**SINGLE LEAF ROOF SCUTTLE - TYPE VM**

QTY	TYPE	QTY	TYPE	SIZE
				WIDTH x LENGTH
<input type="checkbox"/>	S-20VM	<input type="checkbox"/>	S-50VM	3'-0" x 2'-6" [914mm] x [762mm]
<input type="checkbox"/>	NB-20VM	<input type="checkbox"/>	NB-50VM	2'-6" x 4'-6" [762mm] x [1370mm]
<input type="checkbox"/>	L-20VM	<input type="checkbox"/>	L-50VM	2'-6" x 8'-0" [762mm] x [2440mm]
<input type="checkbox"/>	EW-20VM	<input type="checkbox"/>	EW-50VM	3'-3 <sup>3</sup> / <sub>8</sub> " x 3'-3 <sup>3</sup> / <sub>8</sub> " [1000mm] x [1000mm]

THIS DRAWING IS THE PROPERTY OF THE BILCO COMPANY AND INCORPORATES INFORMATION WHICH IS PROPRIETARY. PUBLICATION AND/OR PUBLIC DISTRIBUTION IN WHOLE OR IN PART IS EXPRESSLY PROHIBITED WITHOUT THE PRIOR WRITTEN CONSENT OF THE BILCO COMPANY. THE INFORMATION CONTAINED HEREIN REMAINS THE PROPERTY OF THE BILCO COMPANY. ALL RIGHTS RESERVED.